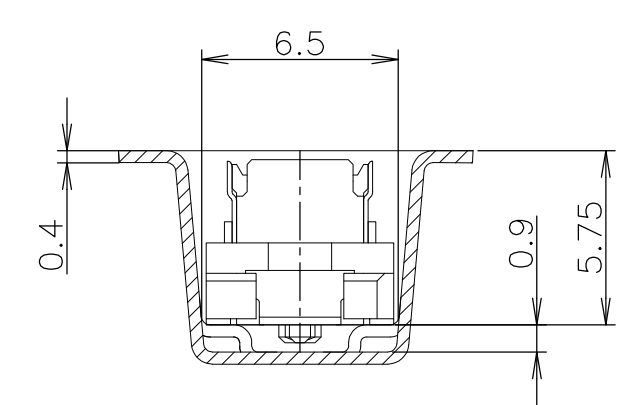
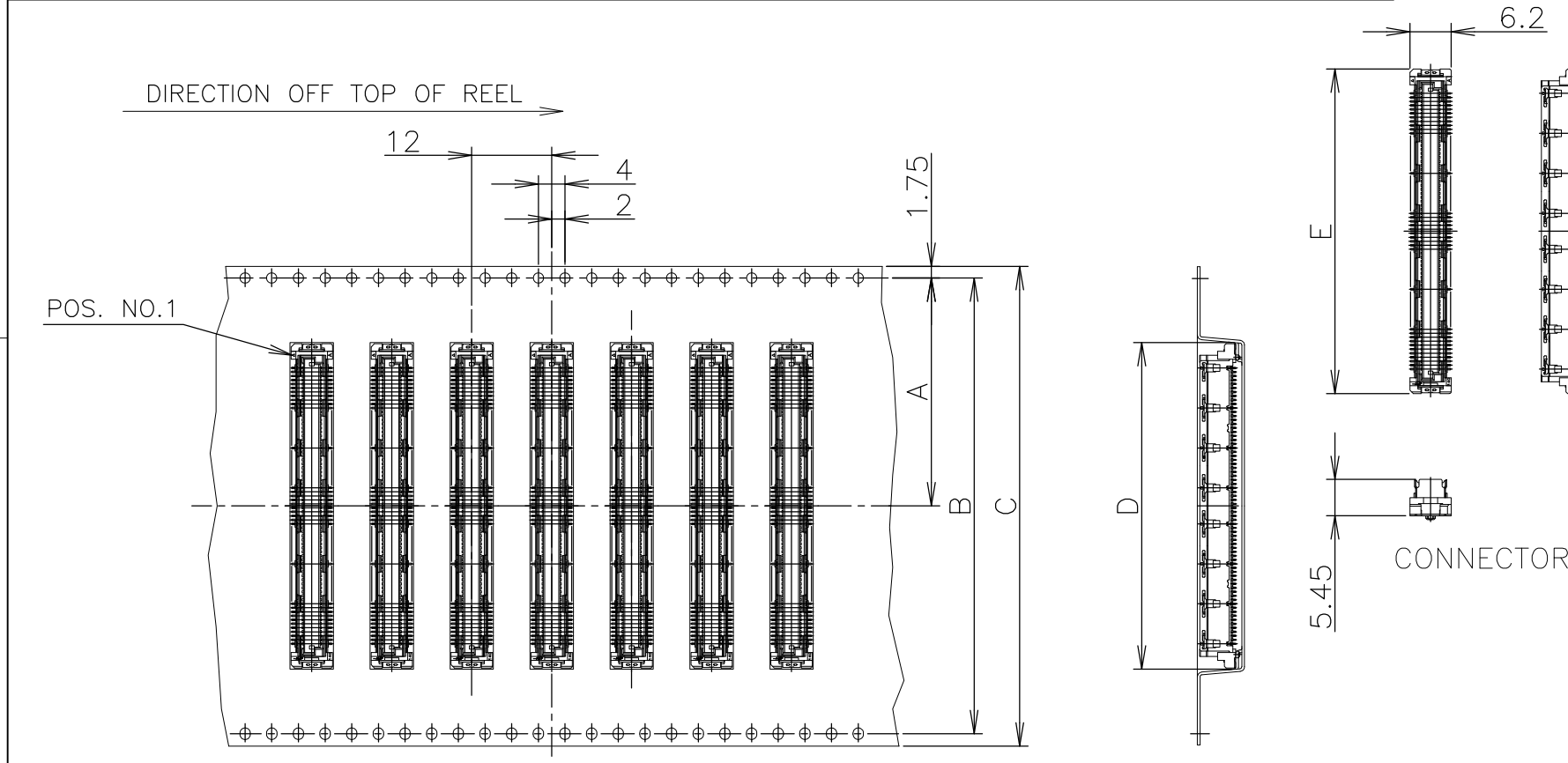
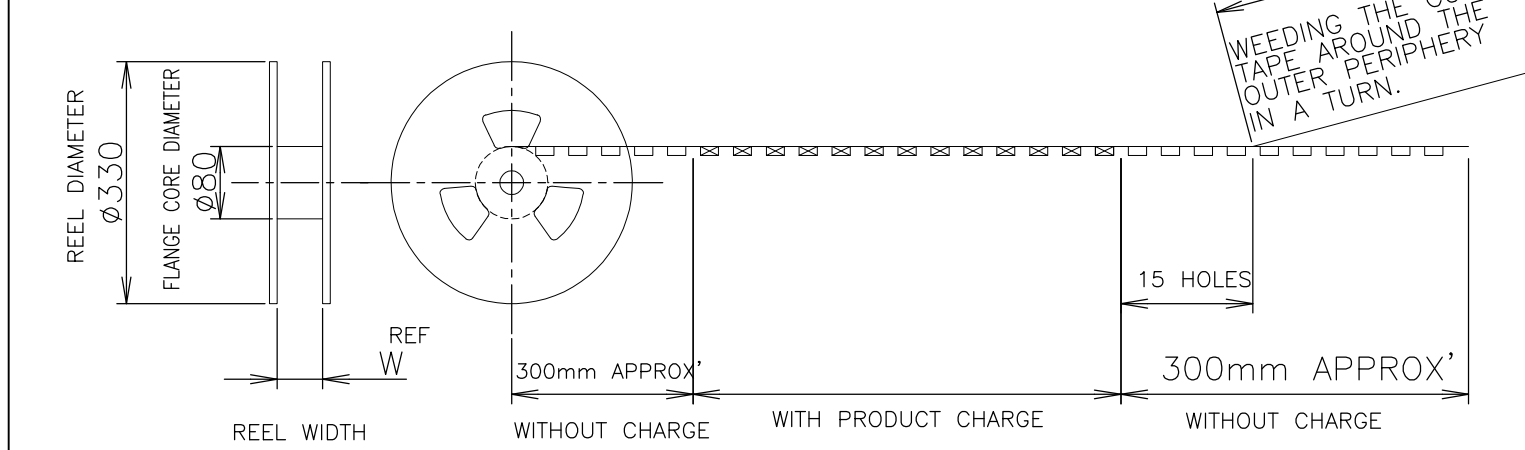
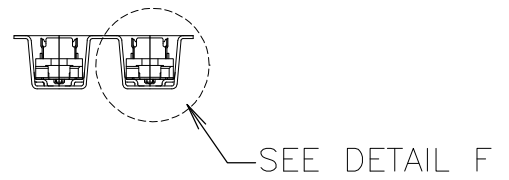


THIS DRAWING IS UNPUBLISHED. RELEASED FOR PUBLICATION JUN , 1996.  
 © COPYRIGHT 1996 BY TYCO ELECTRONICS CORPORATION. ALL RIGHTS RESERVED.

LOC	DIST	REVISIONS					
J		P	LTR	DESCRIPTION	DATE	DWN	APVD
		B		REVISED ECR-08-000339	01FEB08	T.T	T.F



CONNECTOR DETAIL



WEEDING THE COVER TAPE AROUND THE OUTER PERIPHERY IN A TURN.

SEALANT	TOOLING STATUS	QTY.	W	E	D	C	B	A	POS.	PART NO.
NON SEALANT	NOT AVAILABLE	800	49.5	24.7	25	44	40.4	20.2	60	7-5353186-4
	NOT AVAILABLE		77.5	54.7	55	72	68.4	34.2	160	6-5353186-1
	AVAILABLE		77.5	48.7	49	72	68.4	34.2	140	6- -0
	NOT AVAILABLE		61.5	42.7	43	56	52.4	26.2	120	5- -9
	NOT AVAILABLE		61.5	36.7	37	56	52.4	26.2	100	5- -8
	NOT AVAILABLE		61.5	33.7	34	56	52.4	26.2	90	5- -7
	AVAILABLE		49.5	30.7	31	44	40.4	20.2	80	5- -6
	NOT AVAILABLE		49.5	27.7	28	44	40.4	20.2	70	5- -5
	NOT AVAILABLE		49.5	24.7	25	44	40.4	20.2	60	5- -4
	NOT AVAILABLE		37.5	21.7	22	32	28.4	14.2	50	5- -3
	AVAILABLE		37.5	18.7	19	32	28.4	14.2	40	5- -2
	NOT AVAILABLE	800	29.5	15.7	16	24	11.5		30	5-5353186-1
	AVAILABLE	800	49.5	24.7	25	44	40.4	20.2	60	2-5353186-4
	AVAILABLE		77.5	54.7	55	72	68.4	34.2	160	1-5353186-1
AVAILABLE		77.5	48.7	49	72	68.4	34.2	140	1- -0	
NOT AVAILABLE		61.5	42.7	43	56	52.4	26.2	120	-9	
AVAILABLE		61.5	36.7	37	56	52.4	26.2	100	-8	
NOT AVAILABLE	800	61.5	33.7	34	56	52.4	26.2	90	-7	
NOT AVAILABLE		49.5	27.7	28	44	40.4	20.2	70	-5	
AVAILABLE		49.5	24.7	25	44	40.4	20.2	60	-4	
NOT AVAILABLE		37.5	21.7	22	32	28.4	14.2	50	-3	
NOT AVAILABLE		37.5	18.7	19	32	28.4	14.2	40	-2	
NOT AVAILABLE	800	29.5	15.7	16	24	11.5		30	5353186-1	

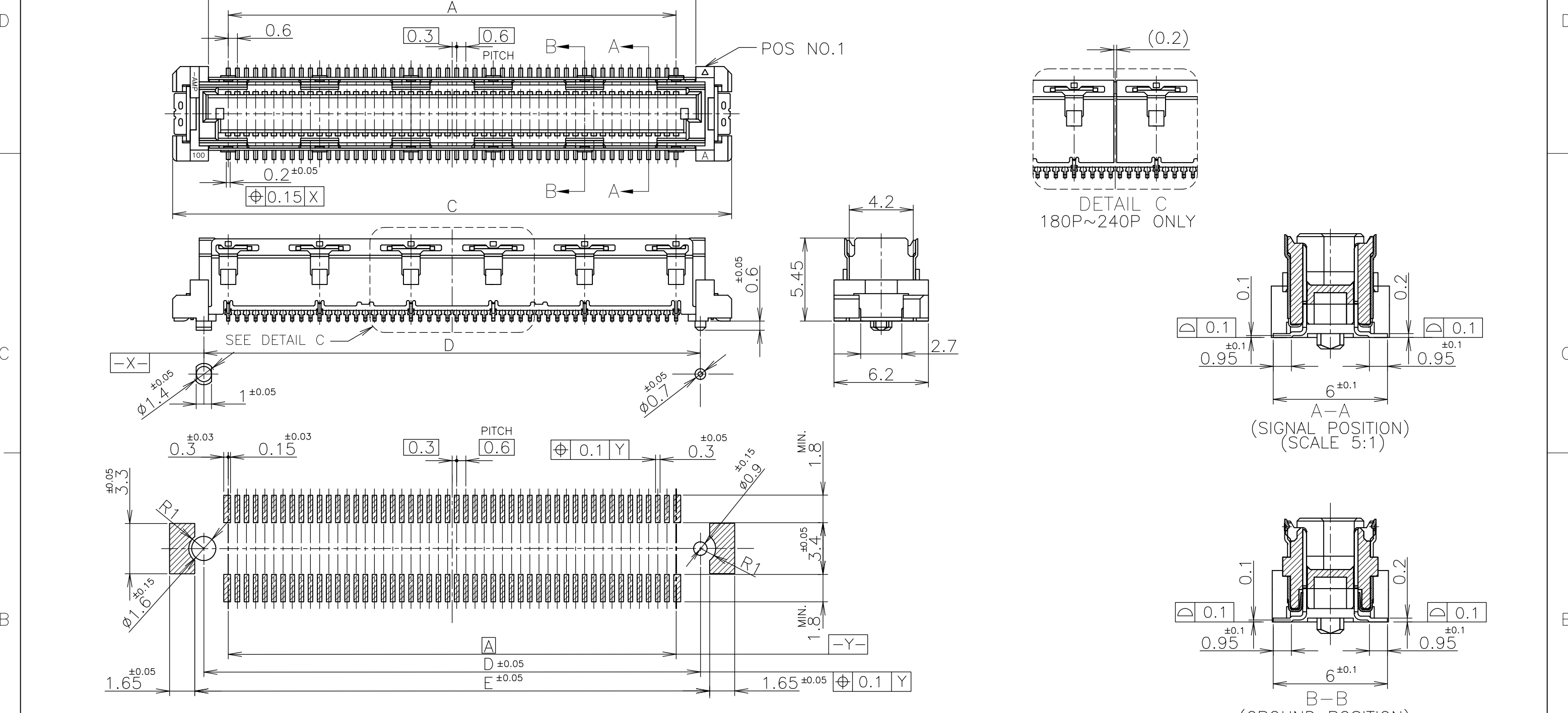
- 4 THIS PRODUCT WAS COATED BY FLUX-PENETRATION -INHIDITING AGENT.
- 5 HOUSING COLOR : NATURAL
- 6 HOUSING COLOR : BLACK

THIS DRAWING IS A CONTROLLED DOCUMENT.

DIMENSIONS: 単位: 耗 mm	TOLERANCES UNLESS OTHERWISE SPECIFIED: 一般公差	DWN HAWKING HE 20DEC04	Tyco Electronics Tyco Electronics Corporation Kawasaki, Japan
0 PLC ± 0.2	1 PLC ± 0.2	CHK STEVEN YAO 20DEC04	
2 PLC ± 0.2	3 PLC ± 0.2	APVD I.ENOMOTO 20DEC04	NAME 名称
4 PLC ± 0.2	ANGLES ± 5'	PRODUCT SPEC 製品規格 108-60047	EMBOSS ASSY
MATERIAL 材料	FINISH 仕上	APPLICATION SPEC 取付適用規格 114-5255	FH 0.6BTB CONNECTOR
		WEIGHT	PLUG 6H WITH G-PLATE
			SIZE A3 CAGE CODE 00779 DRAWING NO G-5353186 RESTRICTED TO 番号
			CUSTOMER DRAWING SCALE 尺度 1:1 SHEET 1 OF 3 REV B

THIS DRAWING IS UNPUBLISHED. RELEASED FOR PUBLICATION JUN ,1996.  
 © COPYRIGHT 1996 BY TYCO ELECTRONICS CORPORATION. ALL RIGHTS RESERVED.

LOC	DIST	REVISIONS		
J		P	LTR	DESCRIPTION
				DATE
				DWN
				APVD
		SEE SHEET 1		



AVAILABLE	21.8	20.6	24.7	20	17.4	60
AVAILABLE	51.8	50.6	54.7	50	47.4	160
AVAILABLE	45.8	44.6	48.7	44	41.4	140
NOT AVAILABLE	39.8	38.6	42.7	38	35.4	120
AVAILABLE	33.8	32.6	36.7	32	29.4	100
NOT AVAILABLE	30.8	29.6	33.7	29	26.4	90
AVAILABLE	27.8	26.6	30.7	26	23.4	80
NOT AVAILABLE	24.8	23.6	27.7	23	20.4	70
AVAILABLE	21.8	20.6	24.7	20	17.4	60
NOT AVAILABLE	19.8	17.6	21.7	17	14.4	50
AVAILABLE	15.8	14.6	18.7	14	11.4	40
NOT AVAILABLE	12.8	11.6	15.7	11	8.4	30
TOOLING STATUS	E	D	C	B	A	POS

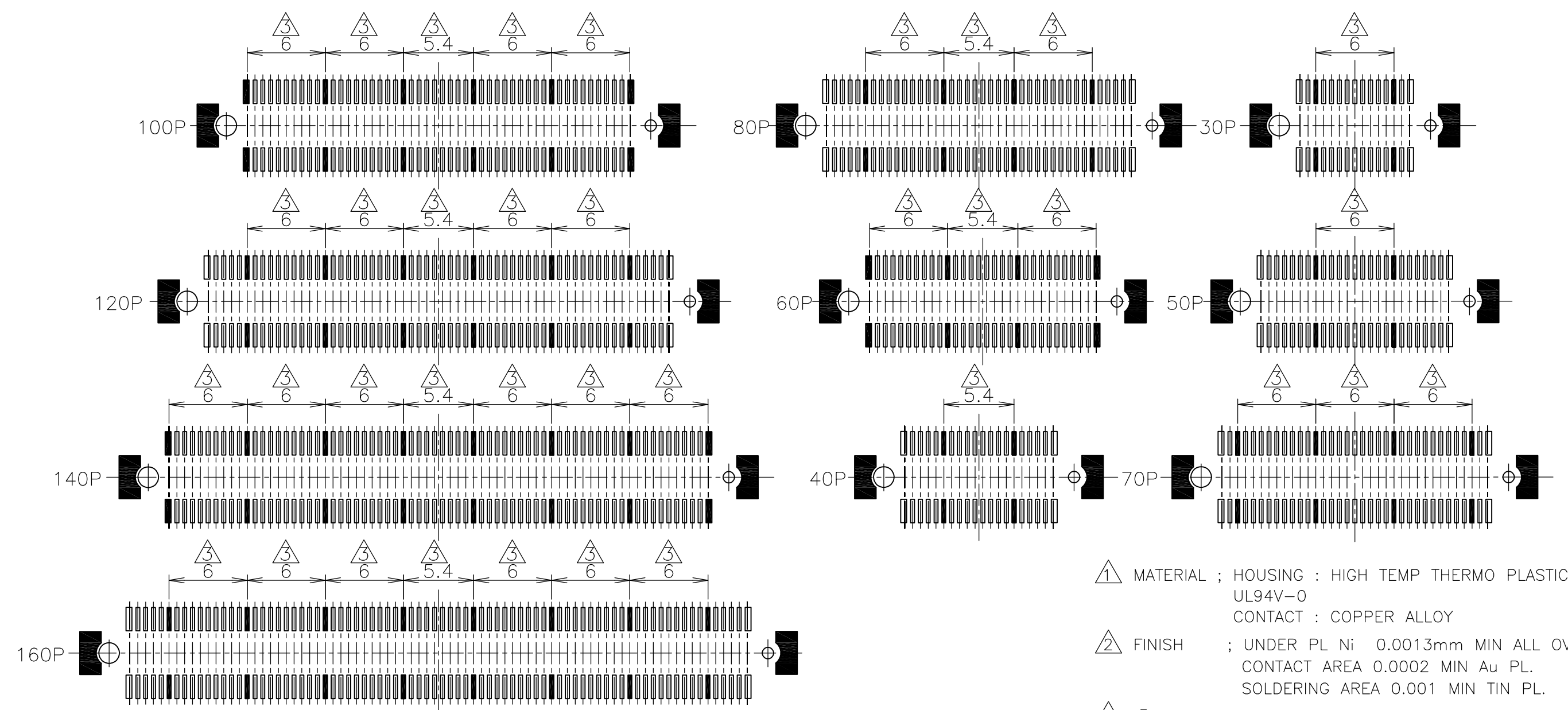
REFERENCE P.C.BOARD LAYOUT

GENERAL TOLERANCE  
 一般公差  
 10 ≥ ±0.2  
 30 ≥ >10: ±0.25  
 100 ≥ >30: ±0.3  
 ANGLES: ±3°

THIS DRAWING IS A CONTROLLED DOCUMENT.		DWN	Tyco Electronics Corporation Kawasaki, Japan	
DIMENSIONS: 単位: 耗 mm		CHK	NAME 名称	
TOLERANCES UNLESS OTHERWISE SPECIFIED: 一般公差		APVD	EMBOSS ASSY FH 0.6BTB CONNECTOR PLUG 6H WITH G-PLATE	
0 PLC ± - 1 PLC ± - 2 PLC ± - 3 PLC ± - 4 PLC ± - ANGLES ± -		PRODUCT SPEC 製品規格	SIZE	CAGE CODE
MATERIAL 材料		APPLICATION SPEC 取付適用規格	A3	00779
FINISH 仕上		WEIGHT	DRAWING NO 番号	RESTRICTED TO
		CUSTOMER DRAWING	G-5353186	
		SCALE 尺度	SHEET	REV
		4:1	2 OF 3	B

THIS DRAWING IS UNPUBLISHED. RELEASED FOR PUBLICATION JUN ,1996.  
 © COPYRIGHT 1996 BY TYCO ELECTRONICS CORPORATION. ALL RIGHTS RESERVED.

LOC	DIST	REVISIONS 変更					
J		P	LTR	DESCRIPTION	DATE	DWN	APVD
			-	SEE SHEET 1	-	-	-



- ① MATERIAL ; HOUSING : HIGH TEMP THERMO PLASTIC UL94V-0  
CONTACT : COPPER ALLOY
- ② FINISH ; UNDER PL Ni 0.0013mm MIN ALL OVER.  
CONTACT AREA 0.0002 MIN Au PL.  
SOLDERING AREA 0.001 MIN TIN PL.
- ③ ■ THIS POSITION IS GROUND CIRCUIT.

GENERAL TOLERANCE  
一般公差

10 ≥ : ±0.2  
 30 ≥ >10 : ±0.25  
 100 ≥ >30 : ±0.3  
 ANGLES : ±3°

THIS DRAWING IS A CONTROLLED DOCUMENT.		DWN	Tyco Electronics Tyco Electronics Corporation Kawasaki, Japan		
DIMENSIONS: 単位: 耗 mm		CHK	NAME 名称		
TOLERANCES UNLESS OTHERWISE SPECIFIED: 一般公差		APVD	PRODUCT SPEC 製品規格		
0 PLC ± - 1 PLC ± - 2 PLC ± - 3 PLC ± - 4 PLC ± - ANGLES ± -		PRODUCT SPEC	APPLICATION SPEC 取付適用規格		
MATERIAL 材料		WEIGHT	SIZE	CAGE CODE	DRAWING NO 番号
①		CUSTOMER DRAWING		A3 00779	G-5353186
②		SCALE 尺度 3:1		SHEET 3 OF 3	REV B